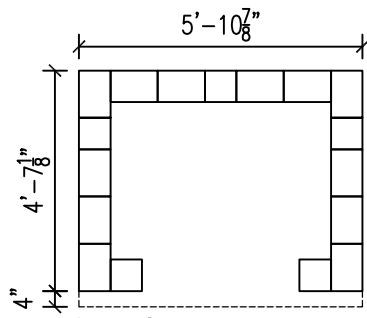
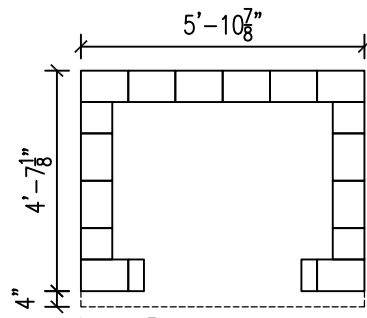


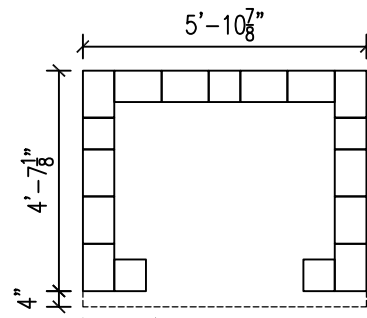
- Layer 1
 19 - 12"x8"x4"
 4 - 8"x8"x4"
 0 - 4"x8"x4"



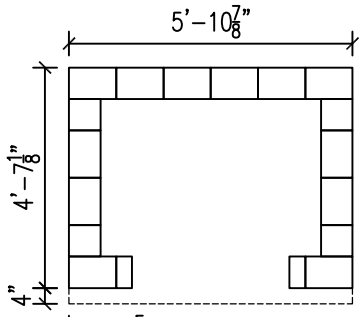
- Layer 2
 12 - 12"x8"x4"
 5 - 8"x8"x4"
 0 - 4"x8"x4"



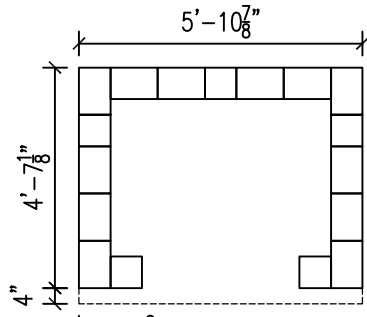
- Layer 3
 12 - 12"x8"x4"
 4 - 8"x8"x4"
 2 - 4"x8"x4"



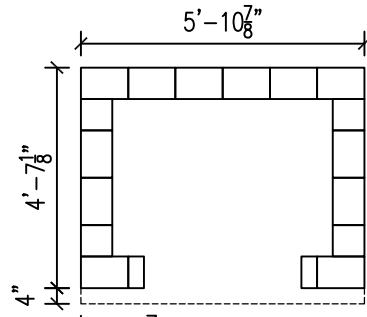
- Layer 4
 12 - 12"x8"x4"
 5 - 8"x8"x4"
 0 - 4"x8"x4"



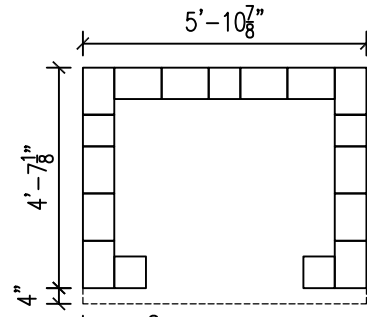
- Layer 5
 12 - 12"x8"x4"
 4 - 8"x8"x4"
 2 - 4"x8"x4"



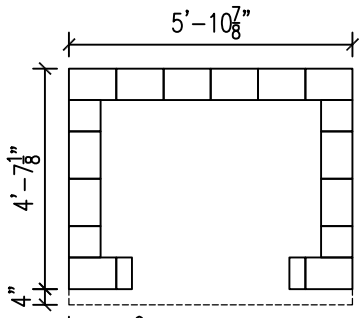
- Layer 6
 12 - 12"x8"x4"
 5 - 8"x8"x4"
 0 - 4"x8"x4"



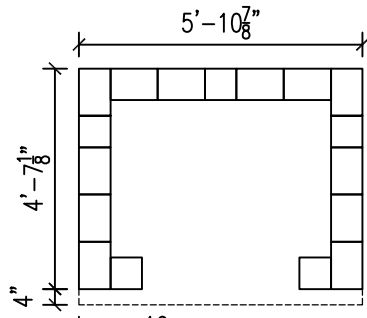
- Layer 7
 12 - 12"x8"x4"
 4 - 8"x8"x4"
 2 - 4"x8"x4"



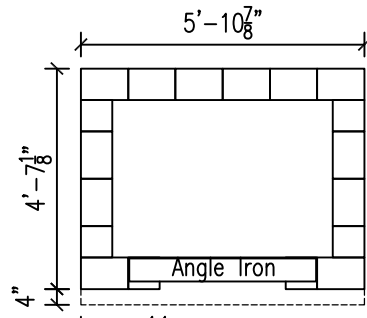
- Layer 8
 12 - 12"x8"x4"
 5 - 8"x8"x4"
 0 - 4"x8"x4"



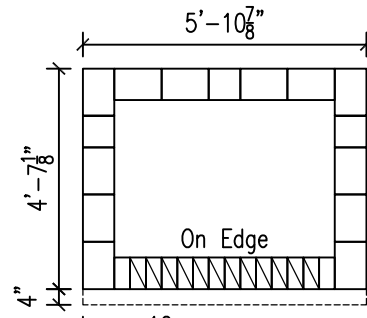
- Layer 9
 12 - 12"x8"x4"
 4 - 8"x8"x4"
 2 - 4"x8"x4"



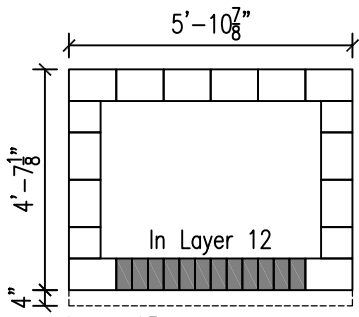
- Layer 10
 12 - 12"x8"x4"
 5 - 8"x8"x4"
 0 - 4"x8"x4"



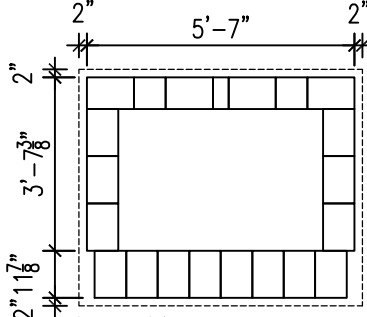
- Layer 11
 12 - 12"x8"x4"
 6 - 8"x8"x4"
 0 - 4"x8"x4"



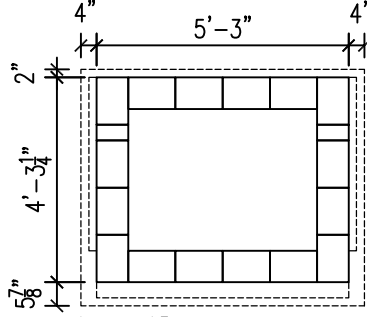
- Layer 12
 12 - 12"x8"x4"
 15 - 8"x8"x4"
 2 - 4"x8"x4"



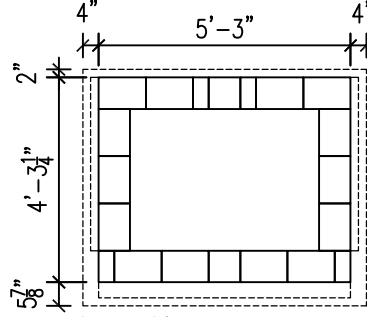
- Layer 13
 12 - 12"x8"x4"
 4 - 8"x8"x4"
 0 - 4"x8"x4"



- Layer 14
 18 - 12"x8"x4"
 2 - 8"x8"x4"
 1 - 4"x8"x4"



- Layer 15
 16 - 12"x8"x4"
 0 - 8"x8"x4"
 2 - 4"x8"x4"



- Layer 16
 14 - 12"x8"x4"
 2 - 8"x8"x4"
 4 - 4"x8"x4"

King Arthur Fireplace 46"